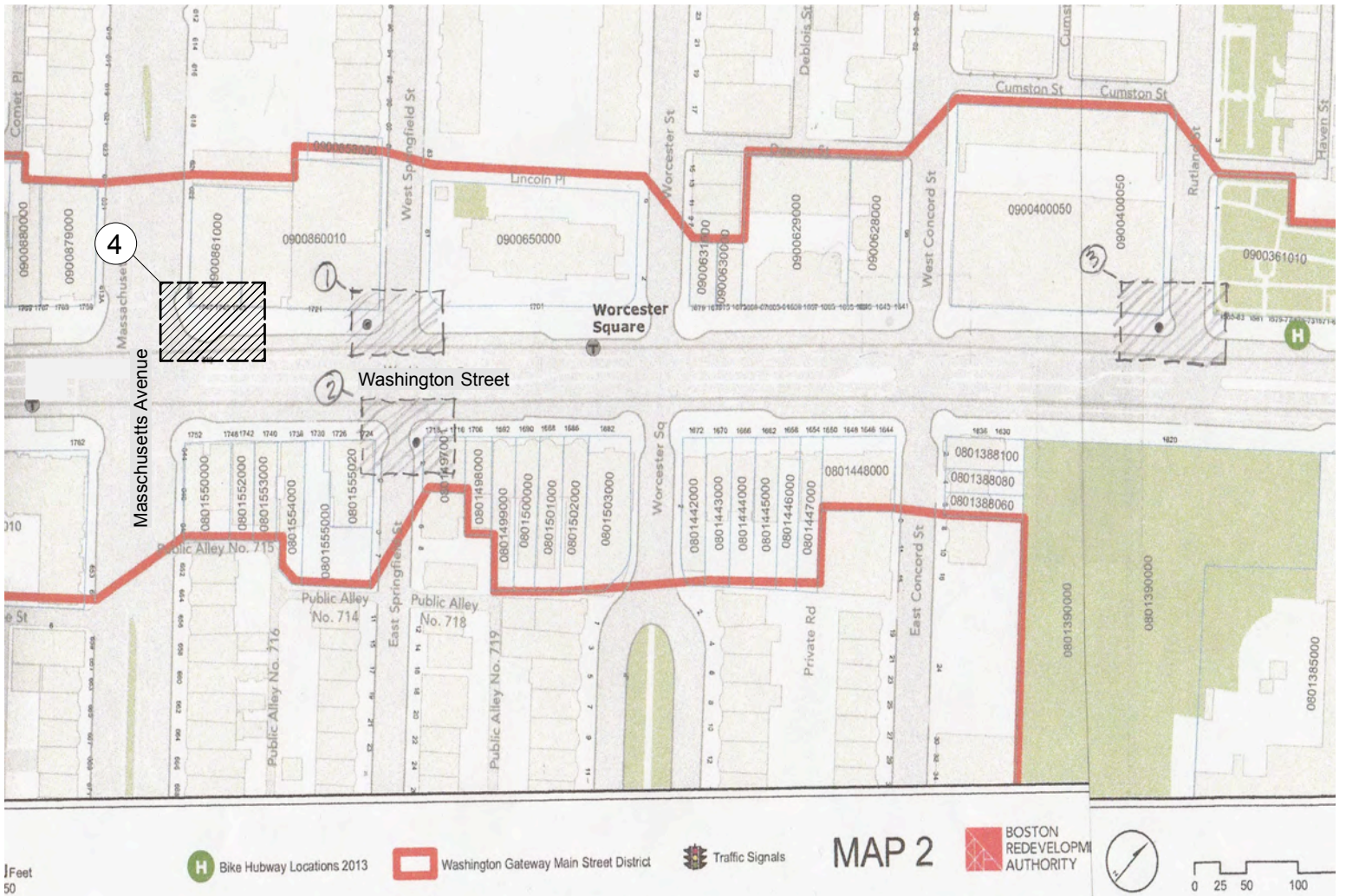




**WASHINGTON STREET
ARTISTIC BIKE RACKS PROJECT**

**A Project by Washington Gateway Main Street
with Artists for Humanity & Boston Transportation Department**

May 2018 updated Aug 2018



Location Plan for Proposed Artistic Bike Rack #4
 Previously approved locations 1, 2, and 3 shown for reference

WASHINGTON STREET ARTISTIC BIKE RACKS PROJECT
 Submitted by Washington Gateway Main Street 14 Aug 2018



Location 4: 1745 Washington Street & Massachusetts Avenue

WASHINGTON STREET ARTISTIC BIKE RACKS PROJECT

Submitted by Washington Gateway Main Street

14 Aug 2018

Massachusetts Avenue

Existing Bike Lane

7-Eleven Store

Olympia Flower Store

Trash receptacles
Street light pole
Hydrant

Crosswalk
Traffic light pole

Brick paving

Parking meter

Street light pole

Proposed bike rack

Align rack w/ street light pole

Concrete HCP ramp

2'-3" +/-

4'-0"

Existing Bike Lane

Crosswalk

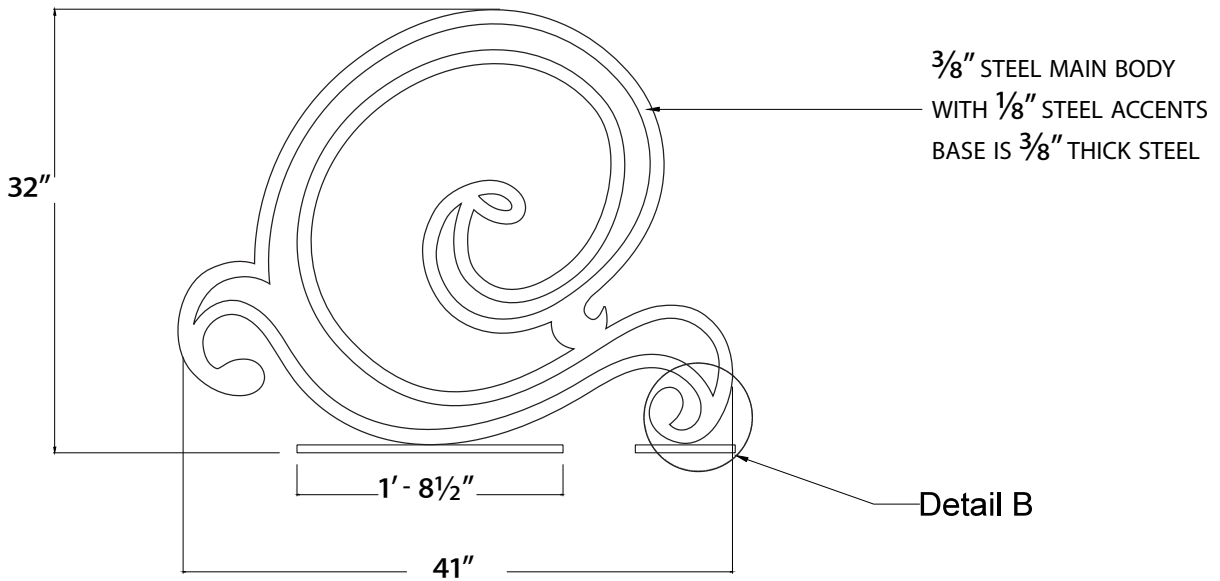
Washington Street

Location 4: 1745 Washington Street & Massachusetts Avenue

WASHINGTON STREET ARTISTIC BIKE RACKS PROJECT

Submitted by Washington Gateway Main Street

14 Aug 2018



Elevation View

Design/Construction Drawing
by Artists for Humanity



Full scale mock-up
by Artists for Humanity

WASHINGTON STREET ARTISTIC BIKE RACKS PROJECT

Submitted by Washington Gateway Main Street

14 Aug 2018



Material Sample: Brushed Stainless Steel

WASHINGTON STREET ARTISTIC BIKE RACKS PROJECT

Submitted by Washington Gateway Main Street

14 Aug 2018

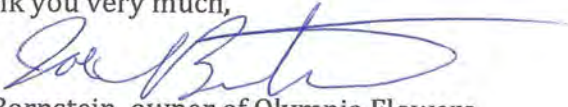
July 21, 2018

To Whom It May Concern:

I support Washington Gateway Main Street's proposal to place an artistic bike rack on Washington Street near Massachusetts Ave where my store, Olympia Flowers is located. I also own the block where 7/11, Dunkin Donuts and other businesses on the second floor are located.

I have reviewed the design and exact location of the bike rack and both work well for our store. This will be a great addition to the area and a benefit to my customers who ride bikes. We are excited to have this functional piece of art in front of our business.

Thank you very much,

A handwritten signature in blue ink, appearing to read "Joe Bornstein", with a long horizontal flourish extending to the right.

Joe Bornstein, owner of Olympia Flowers.