



**65 Beacon Street
Boston, MA 02108**

Job Number: 80319

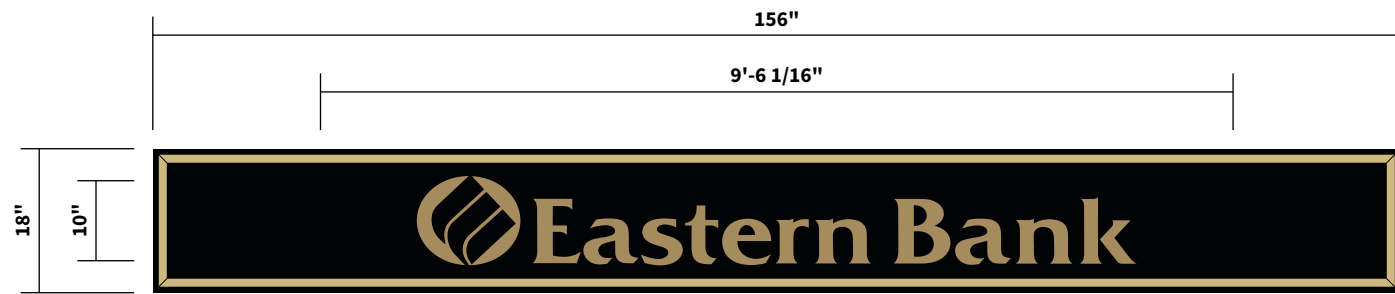
Sales Rep: House

Designer: AMP

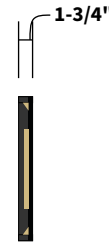
December 15, 2023



Scope of Work: Remove existing panel and replace with new matching panel w logo.
 .25" routed aluminum, hydro-jet cut. Pin Mounted.
 Threaded studs welded to back for wall attachment.



1 | **Front View**
 Scale: 1/2"=1'-0"



2 | **Side View**
 Scale: 1/2"=1'-0"

Color Reference Chart

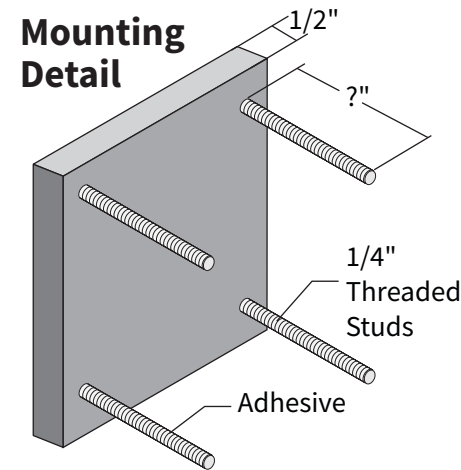
- P5** Panel Face/Returns:
MP 923SP - Semi-Gloss Finish
Black
- P6** Matthews Paint to Match
3M 7725-131
Satin Gold - (Opaque)



EXISTING



PROPOSED



NOTE:
 Threaded studs with -----" minimum
 embedment and install with clear
 Adhesive



130 Commerce Road, Boynton Beach FL 33426 | (561) 547-3760
 327 New South Road, Hicksville NY 11801 | (631) 273-4800
 americansigncrafters.com

PROJECT



65 Beacon Street, Boston MA 02108

DATE

11.20.23

ACCOUNT EXECUTIVE

House

PROJECT MANAGER

BB

DESIGNER

AMP

REVISIONS

11.28.23 AP - Updated per markups

11.29.23 MV- Removed note

12.13.23 MV Updated per art request

APPROVAL

- Approved
- Approved as Noted
- Revise & Resubmit

Approved: _____
 Date: _____

• ALL ELECTRICAL COMPONENTS ARE TO BE U.L. LISTED AND APPROVED AS PER NEC 5 2011
 • ALL TRANSFORMERS GROUND FAULT PROTECTED & COMPLY WITH NEC-600.23
 • ALL SECONDARY WIRING INSIDE LETTER IS TO BE HIGH TENSION GTO AS PER NEC-600.31
 • ALL PRIMARY WIRING TO BE #12 THWN AS PER NEC-80.5
 • GROUNDING AND BONDING AS PER NEC 250
 • INSTALLATION WILL COMPLY WITH ALL OF THE REQUIREMENTS OF NEC 600 & FBC 505.2.4
 SIGNS WILL BE CONTROLLED BY A PHOTOCELL OR ASTRONOMICAL TIME CLOCK.



JOB #

80319

PAGE

3

OF 5

Scope of Work: Remove existing vinyl, clean glass of all residue.
DO NOT REPLACE.



PROPOSED



EXISTING



130 Commerce Road, Boynton Beach FL 33426 | (561) 547-3760
327 New South Road, Hicksville NY 11801 | (631) 273-4800
americansigncrafters.com

PROJECT



65 Beacon Street, Boston MA 02108

DATE 11.20.23
ACCOUNT Executive House
PROJECT MANAGER BB
DESIGNER AMP

REVISIONS
11.28.23 AP - Updated per markups
11.29.23 MV- Removed note
12.13.23 MV Updated per art request

APPROVAL

- Approved
- Approved as Noted
- Revise & Resubmit

Approved: _____
Date: _____

• ALL ELECTRICAL COMPONENTS ARE TO BE U.L. LISTED AND APPROVED AS PER NEC 5 2011
• ALL TRANSFORMERS GROUND FAULT PROTECTED & COMPLY WITH NEC-600-23
• ALL SECONDARY WIRING INSIDE LETTER IS TO BE HIGH TENSION GTO AS PER NEC-600-31
• ALL PRIMARY WIRING TO BE #12 THWN AS PER NEC-80-5
• GROUNDING AND BONDING AS PER NEC 250
• INSTALLATION WILL COMPLY WITH ALL OF THE REQUIREMENTS OF NEC 600 & FBC 505.2.4
SIGNS WILL BE CONTROLLED BY A PHOTOCELL OR ASTRONOMICAL TIME CLOCK.



JOB # 80319
PAGE 4 OF 5